

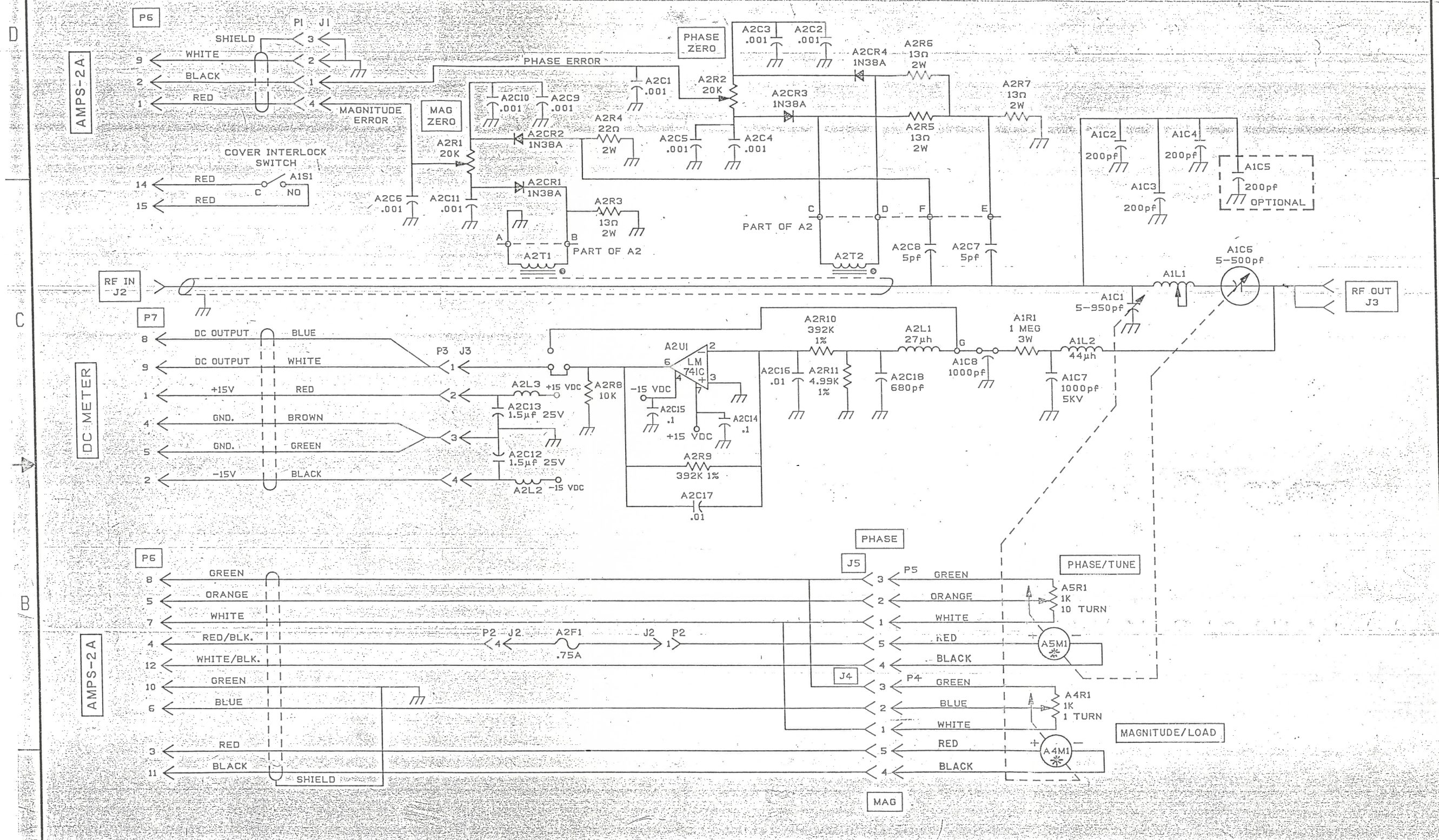
REV. ZONE	DESCRIPTION	DATE	APPROVED	REV. ZONE	DESCRIPTION	DATE	APPROVED
M	R6,22 WERE 5.1K/ECN 849 J1-15 GROUNDED ECN 842	6-25-71	S. Deinas	E	REVISED PER ECN # 712	6-9-84	JWP
L	REVISED PER ECN # M4650	1-7-83	J. Ponist	D	REVISED PER ECN # 898	5-10-84	JWP
K	REVISED PER ECN # 513C	7-8-86	J. Ponist	C	REVISED PER ECN # 637	2-20-84	HGF
J	REVISED PER ECN # M2780	3-17-86	JP	B	RELEASED PER EPR # 014	12-9-84	RAH
I	REVISED PER ECN # M1740	11-5-85	J. Ponist	A	PRELIMINARY RELEASE	10-14-83	RAH
H	REVISED PER ECN # M1480T	6-3-85	JP	REV. ZONE	DESCRIPTION	DATE	APPROVED
G	REVISED PER ECN # M0730	3-4-85	JP	THESE DRAWINGS AND SPECIFICATIONS ARE THE PROPERTY OF PLASMA-THERM, INC., N.J. AND SHALL NOT BE REPRODUCED, OR COPIED, OR USED AS THE DIRECT OR INDIRECT BASIS FOR THE MANUFACTURE, DEVELOPMENT, OR SALE OF APPARATUS, PROCESSES OR PRODUCTS WITHOUT PERMISSION.			
F	REVISED PER ECN # M0640	1-16-85	JP				

NOTES:
 1- Unless Otherwise Indicated, Resistance is in Ohms, 1/4 Watt Dissipation Rating, Fractional Values of Capacitance in Microfarads, All Others in Picofarads.

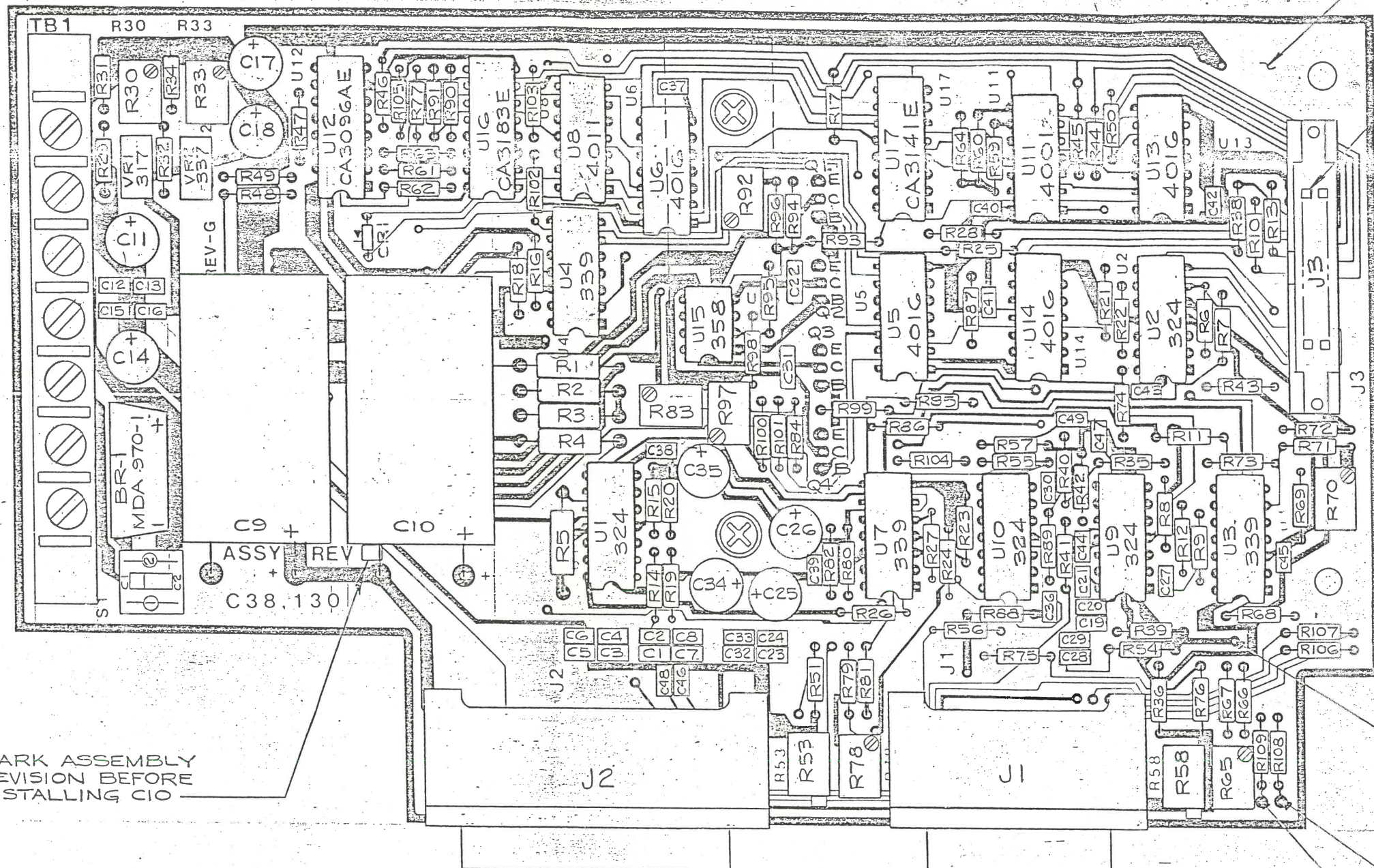


DRAWN NAL		DATE 10-14-83	SUPERSEDES DWG. # 2403491201	
ENG APPVL RAH		DATE 10-14-83	TITLE SCHEMATIC DIAGRAM	
REL TO PROD		DATE	MATCHING NETWORK CONTROLLER	
REF. TO EPL	DWG. NO. 40,247	SHT 1 OF 1	SIZE D	
NEXT ASSY FIRST APPLICATION	USED ON	DATE		

* NOTE:
FOR JAPANESE PRODUCTS MOTORS BLACK=+ RED=-

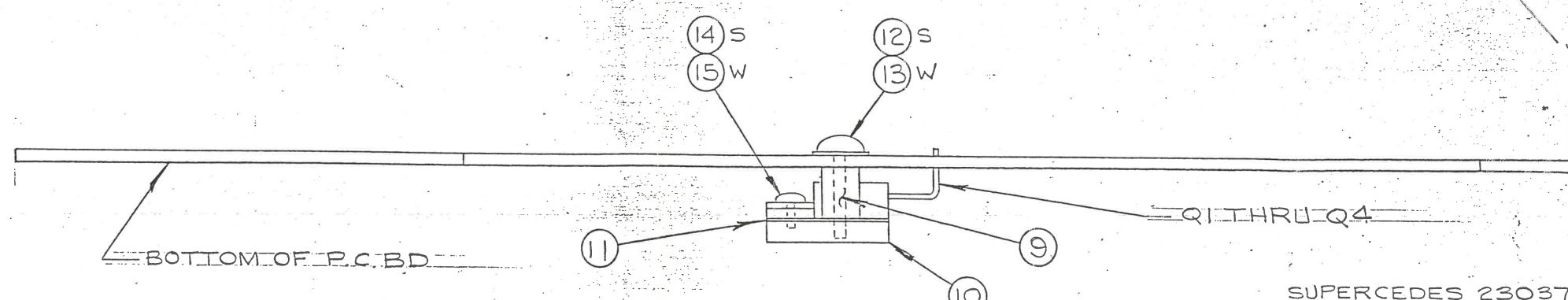


REV	ZONE	DESCRIPTION	DATE	APPROVED	REV	ZONE	DESCRIPTION	DATE	APPROVED	NEXT ASSY.	USED ON	USED ON	DR. NO.	SHEET 1 OF 1	SCALE N/A	SIZE C	
E		REVISED PER ECN 795	4-9-91	RIO								AM-5	30,187				
D		DELETED SHIELD - P3-3/ECN M4850	3-21-89	RCW								AM-5					
C		WAS AMN-502/ECN M3170	11-11-86	RCW								AM-5					
B		RELEASED PER EPR 0037	10/31/85	RCW								AM-5					
A		PRELIMINARY	9/18/85	RCW			REVISED PER ECN 834	8/26/91	E. Demer	B23,407-000	AM-5	AM-5					
THESE DRAWINGS AND SPECIFICATIONS ARE THE PROPERTY OF R.F. PLASMA PRODUCTS, INC., N.J. AND SHALL NOT BE REPRODUCED, OR COPIED, OR USED AS THE DIRECT OR INDIRECT BASIS FOR THE MANUFACTURE, DEVELOPMENT, OR SALE OF APPARATUS, PROCESSES OR PRODUCTS WITHOUT PERMISSION.												RF PLASMA PRODUCTS INC. 22 OLNEY AVENUE CHERRY HILL, NEW JERSEY 08003 (609)424-7500					
REVISIONS												FIRST APPLICATION		USED ON AM-5		TITLE SCHEMATIC DIAGRAM MATCHING NETWORK AM-5	



MARK ASSEMBLY REVISION BEFORE INSTALLING C10

QWD WIRE FROM BACK PANEL C38,131



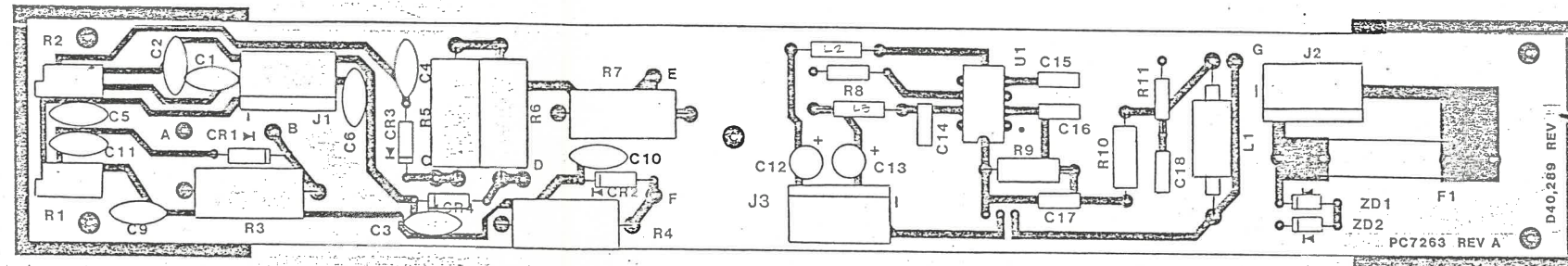
SUPERCEDES 2303750501

REV. ZONE		DESCRIPTION	DATE	APPROVED	C38,131	DRAWN E D RAINIER 11-2-83 ENG APPVL RAH 12-5-83 REL TO PROD	DATE DATE DATE	TITLE PC ASSEMBLY POWER SUPPLY MATCHING NETWORK CONTROL	DWG. NO. 38,130	SHT 1 OF 1 SCALE 2:1	SIZE C
9		REVISED & REDRAWN ECN 3000 5-22-83				NEXT ASSY USED ON	REF. TO EPL				
PT-C2	4				3	FIRST APPLICATION					

THESE DRAWINGS AND SPECIFICATIONS ARE THE PROPERTY OF PLASMA-THERM INC. N.J. AND SHALL NOT BE REPRODUCED OR COPIED, OR USED AS THE DIRECT OR INDIRECT BASIS FOR THE MANUFACTURE, DEVELOPMENT, OR SALE OF APPARATUS PROCESSES OR PRODUCTS WITHOUT PERMISSION.

Plasma-Therm, Inc.

REVISIONS			
LTR	DESCRIPTION	DATE	APPROVED
A	RELEASED PER EPR 0037	12/2/85	[Signature]
B	USED ON WAS AMN-502 / ECU M3170	11/17/86	[Signature]



PRODUCTION TO MARK
ASSEMBLY REVISION LETTER
WITH PERMANENT BLACK INK

REF: EPL - 922 401-002
USED ON: AM-5

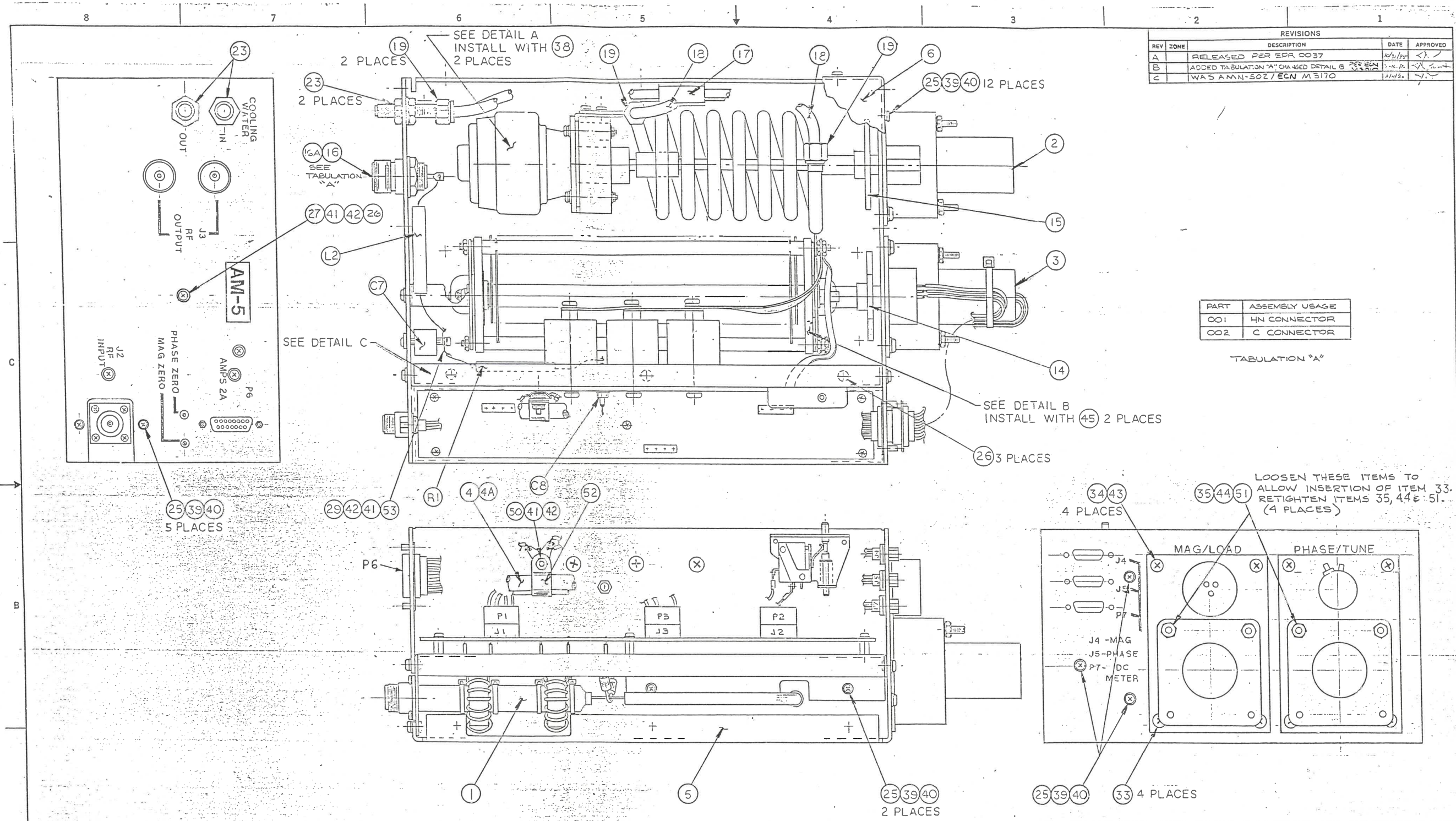
UNLESS OTHERWISE SPECIFIED DIMENSIONS ARE IN INCHES TOLERANCES ARE: FRACTIONS DECIMALS ANGLES XX .XX .XX .XX		CONTRACT NO. 85369	CUSTOMER: RF PLASMA	
MATERIAL	APPROVALS	DATE	BOARD TITLE: AM-5 MATCHING NETWORK PCB ASSEMBLY DRAWING	
FINISH	DRAWN <i>BANK</i>	12/2/85	SIZE D	FSCM NO. D40,289
DO NOT SCALE DRAWING	CHECKED <i>B.Em</i>	12/2/85	SCALE 2:1	DWG. NO. D40,289
	ISSUED		SHEET 1/1	REV A

4 PHEASANT RUN • NEWTOWN, PA 18944

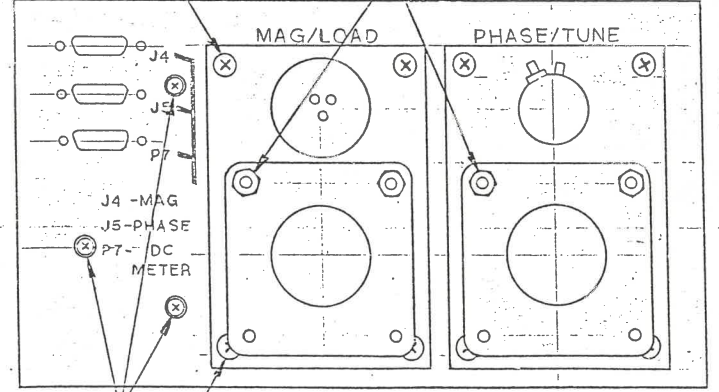
REVISIONS			
REV	ZONE	DESCRIPTION	DATE APPROVED
A		RELEASED PER EPR 0037	10/1/85
B		ADDED TABULATION "A" CHANGED DETAIL B	11/1/85
C		WAS AMN-502/ECN M 5170	11/1/85

PART	ASSEMBLY USAGE
001	HN CONNECTOR
002	C CONNECTOR

TABULATION "A"



LOOSEN THESE ITEMS TO ALLOW INSERTION OF ITEM 33. RETIGHTEN ITEMS 35, 44 & 51. (4 PLACES)



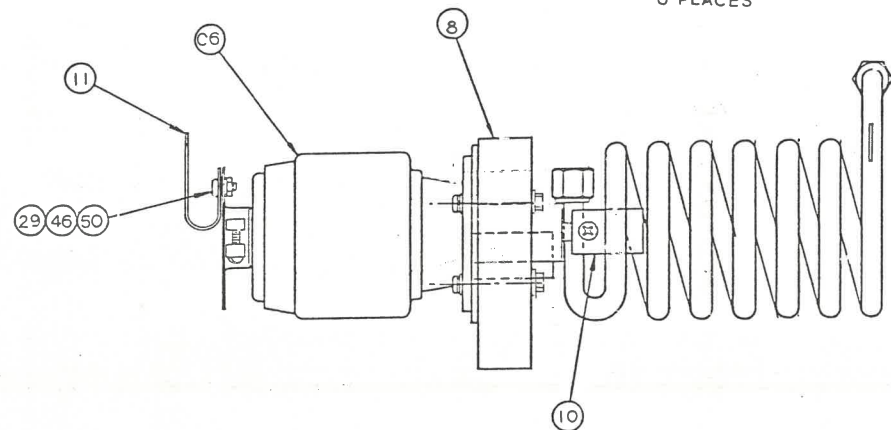
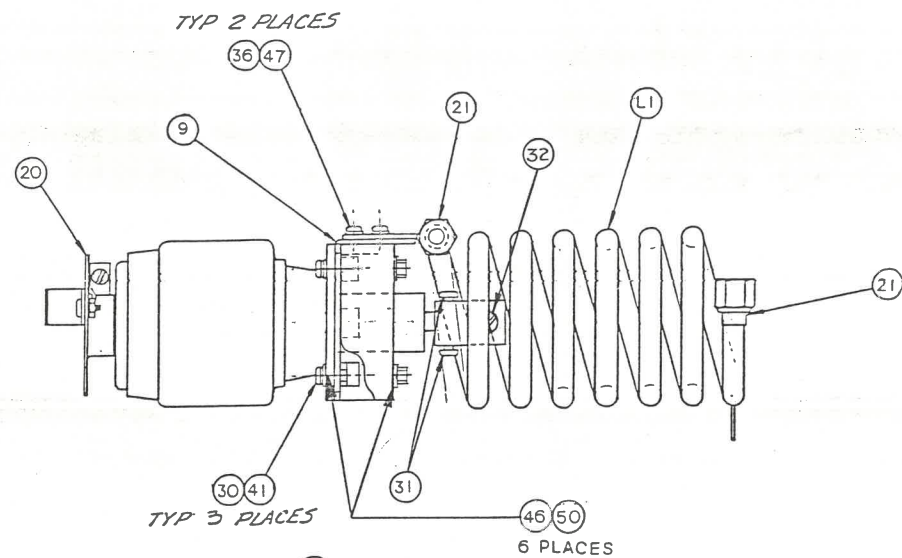
UNLESS OTHERWISE SPECIFIED THE SURF. FIN. OF MACHINED PARTS SHALL NOT EXCEED A MAX READING OF 1/16" PER AMERICAN STD. B46.1 - 1962	UNLESS OTHERWISE SPECIFIED DIMENSIONS ARE IN INCHES AND INCLUDE THICKNESS OF PLATING		DRAWN <i>A.F. GEN</i> DATE <i>5-28-85</i>	RF Plasma Products, Inc. 22 OLNEY AVENUE D CHERRY HILL, NEW JERSEY 08002 □ 609/424-7500	
	TOLERANCES ON:		CHECKED <i>[Signature]</i> DATE		
	BASIC DIMENSIONS	2 PLACE DECIMALS	3 PLACE DECIMALS		ENG. APPVL <i>[Signature]</i> DATE
	UP TO 6	± .02	± .005		REL TO PROD <i>[Signature]</i> DATE
6 TO 24	± .03	± .010			
ABOVE 24	± .06	± .015			
ANGULAR DIMENSIONS ± 1/2°		MFG. SPEC. NO.			
DASH NO.	MATERIAL	FINISH	SPEC.		
LIST OF SPECIFICATIONS					
DASH NO. <i>B23407-000</i> AM-5					
NEXT ASSY USED ON					
FIRST APPLICATION					
SIZE NO. <i>D</i>		NO. <i>D44478</i>			
SCALE <i>1/4"</i>		WEIGHT			
		SHEET <i>1</i> OF <i>2</i>			

THESE DRAWINGS AND SPECIFICATIONS ARE THE PROPERTY OF PLASMA-THERM, INC., N.J. AND SHALL NOT BE REPRODUCED, OR COPIED, OR USED AS THE DIRECT OR INDIRECT BASIS FOR THE MANUFACTURE, DEVELOPMENT, OR SALE OF APPARATUS, PROCESSES OR PRODUCTS WITHOUT PERMISSION.

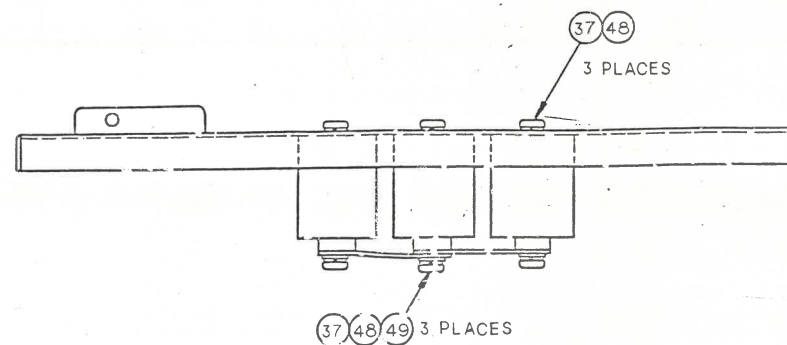
DRAWING 44131 55171

PT-01

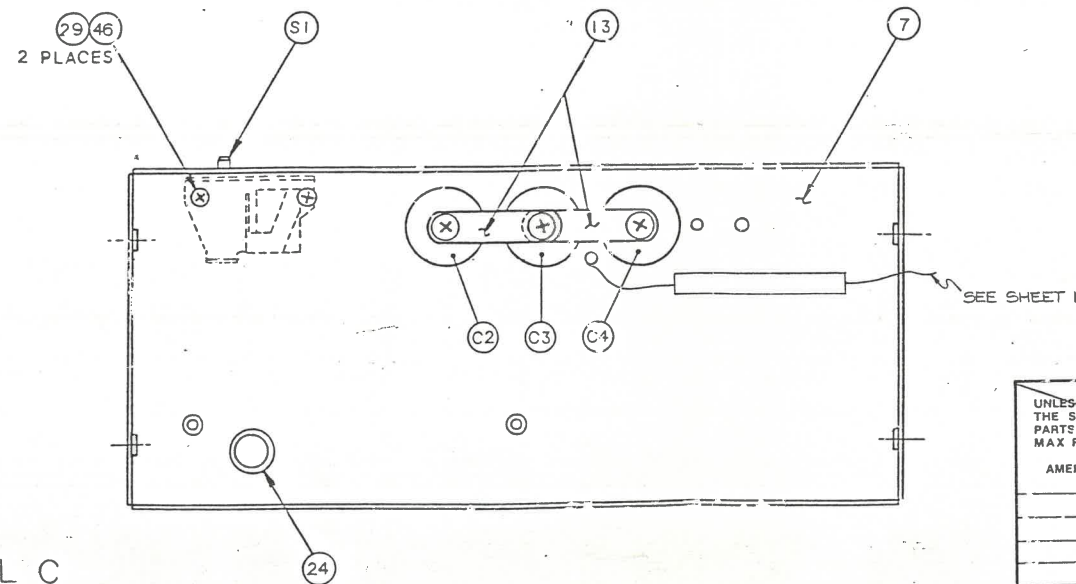
REVISIONS				
REV	ZONE	DESCRIPTION	DATE	APPROVED



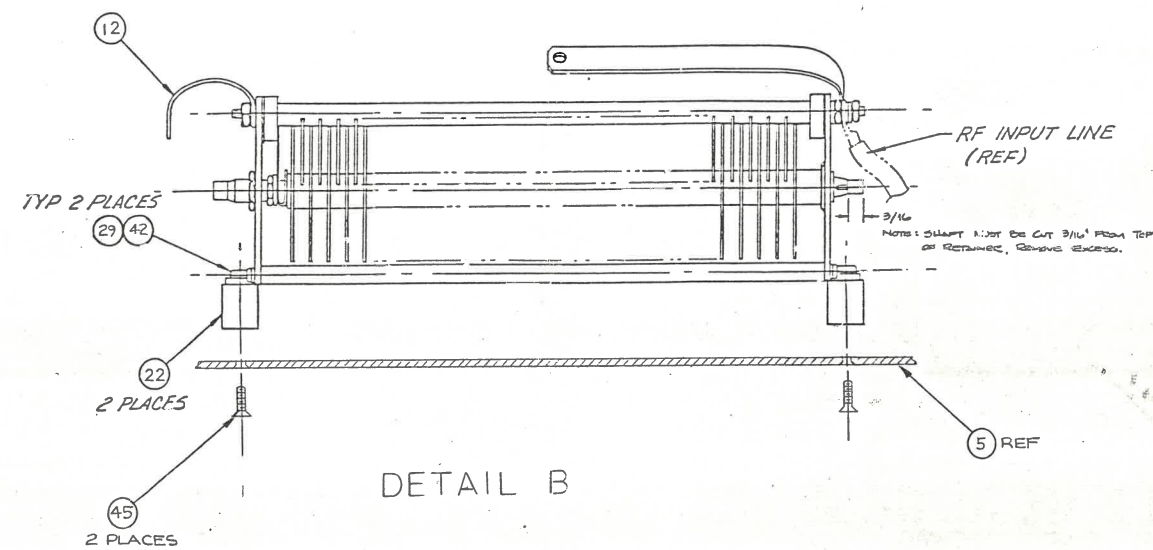
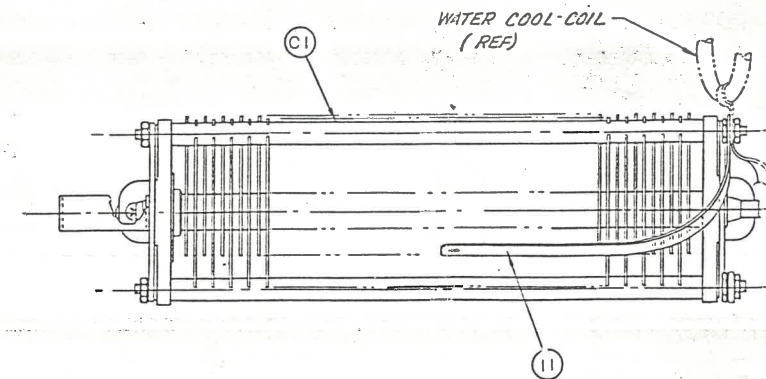
DETAIL A



DETAIL B



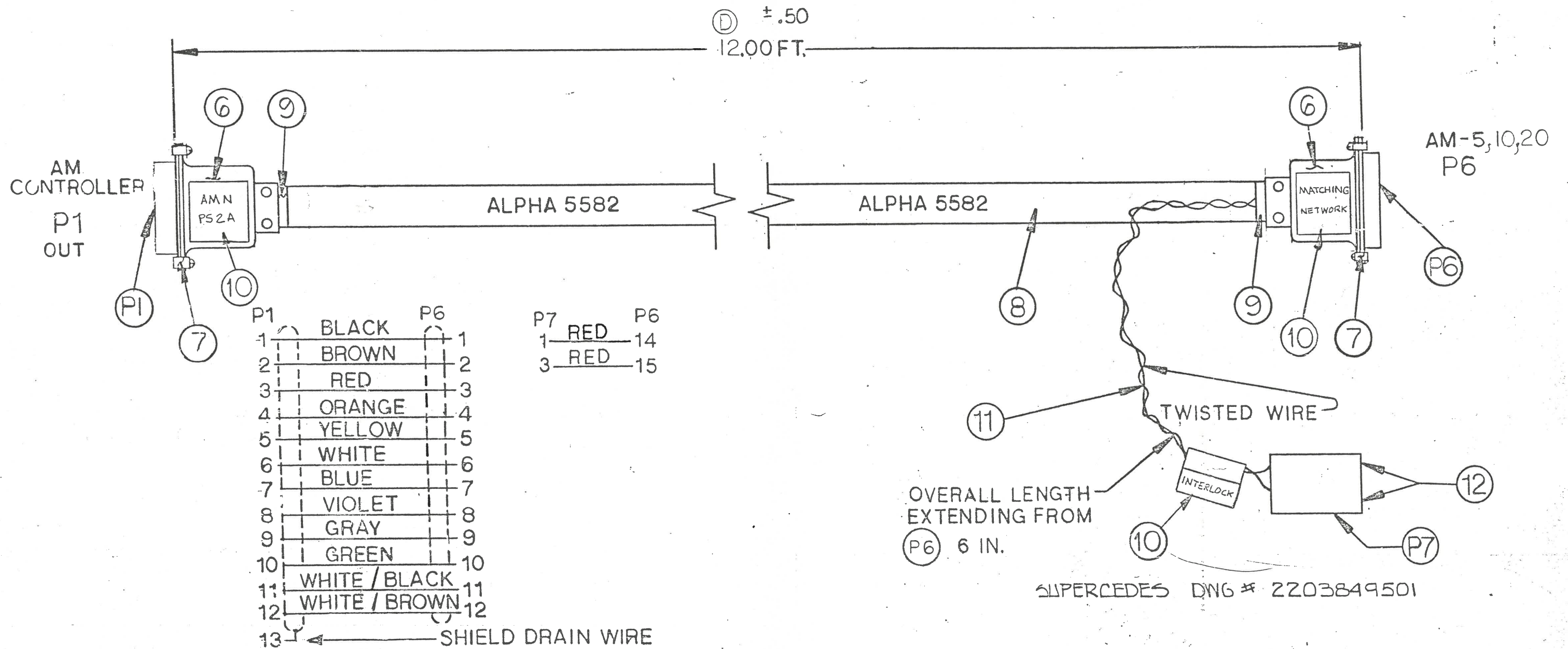
DETAIL C



UNLESS OTHERWISE SPECIFIED THE SURFINISH OF MACHINED PARTS SHALL NOT EXCEED A MAX READING OF 125 PER AMERICAN STD • B46.1 • 1962	UNLESS OTHERWISE SPECIFIED DIMENSIONS ARE IN INCHES AND INCLUDE THICKNESS OF PLATING			DRAWN	DATE	RF Plasma Products, Inc. 22 OLNEY AVENUE □ CHERRY HILL, NEW JERSEY 08003 □ 609/424-7500
	TOLERANCES ON:			CHECKED	DATE	
	S. SIC DIMENSIONS	2 PLACE DECIMALS	3 PLACE DECIMALS	ENG. APPVL	DATE	
	UP TO 6	± .02	± .005	REL TO PROD	DATE	
ABOVE 6 TO 24	± .03	± .010	ANGULAR DIMENSIONS ± 1/2°			
ABOVE 24	± .06	± .015	MFG. SPEC. NO.			
NEXT ASSY	USED ON	FIRST APPLICATION				SIZE NO. D44478 SCALE <i>N</i> WEIGHT SHEET 2 OF 2

THESE DRAWINGS AND SPECIFICATIONS ARE THE PROPERTY OF PLASMA-THERM, INC., N.J. AND SHALL NOT BE REPRODUCED, OR COPIED, OR USED AS THE DIRECT OR INDIRECT BASIS FOR THE MANUFACTURE, DEVELOPMENT, OR SALE OF APPARATUS, PROCESSES OR PRODUCTS WITHOUT PERMISSION.

LIST OF SPECIFICATIONS



				DRAWN		DATE		Plasma-Therm, Inc.	
				R. MEROLA		10-31-85			
				ENG APPV		DATE		TITLE ASSEMBLY, INTERCONNECT CABLE, AM CONTROLLER-AM-5/10/20	
						11-1-85			
				REL TO PROD		DATE		DWG. NO. 28,138	
						11-1-85			
				NEXT ASSY		USED ON		SHT 1 OF 1 SCALE	
				200785650X		AM10/20			
				FIRST APPLICATION		REF. TO EPL		SIZE B	
						B23,407-008			

REV. ZONE DESCRIPTION DATE APPROVED

E ADDED LABELS ECN 6960 4-23-90 *P. Merola*

THESE DRAWINGS AND SPECIFICATIONS ARE THE PROPERTY OF PLASMA-THERM, INC., N.J. AND SHALL NOT BE REPRODUCED, OR COPIED, OR USED AS THE DIRECT OR INDIRECT BASIS FOR THE MANUFACTURE, DEVELOPMENT, OR SALE OF APPARATUS, PROCESSES OR PRODUCTS WITHOUT PERMISSION.